

Como Adjustable Recessed Downlight Installation Instructions



Please read these instructions carefully before installation
Leave a copy for the user/maintenance engineer for future reference

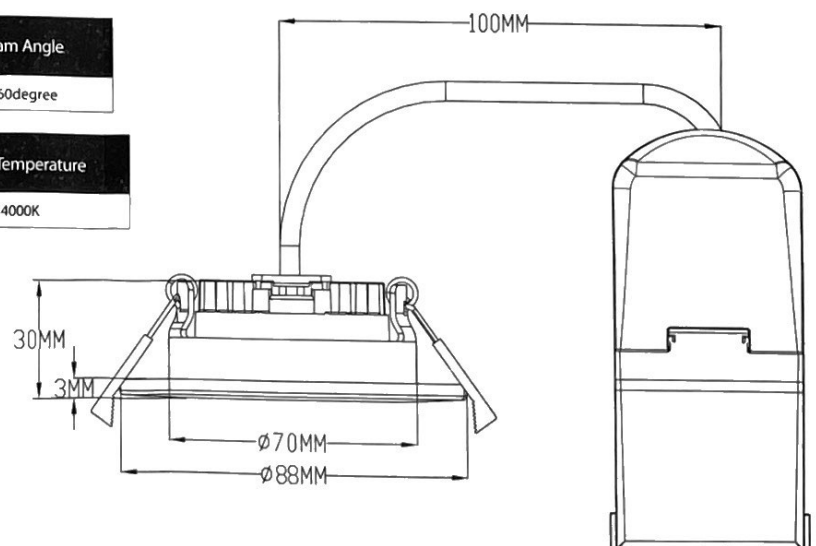
Important Safety Information

- It is recommended that this luminaire is installed, inspected and maintained by a qualified electrician.
- Installation should be carried out in accordance with the latest edition of the IEE Wiring Regulations (BS 7671) and the latest Building Regulations. If in doubt, consult a qualified electrician.
- This product is designed for connection to a 220-240V~50/60Hz supply.
- Before commencing any installation or maintenance work, ensure that the electrical mains supply is isolated and circuit fuses are removed or switched off.
- Ensure that all electrical connections are tight with no loose strands including factory made connections.
- This product is Fire Rated.
- Mineral wool insulation material can be loosely laid across the luminaire but not compressed.
- Please note the IP rating of this luminaire when deciding the location for installation. IP65 (Below the ceiling), IP20 (Recessed parts).
- This luminaire is suitable for indoor use only.
- This product is dimmable. Dimmer type compatibility and Min/Max wattage recommended loadings must be observed.
- This is a Class II construction luminaire
- This luminaire is suitable for use in ambient temperatures of -10 °C to +40 °C.
- MCBs may require to be updated to allow for increased initial inrush current.
- Do not carry out any insulation resistance tests with the luminaire connected to the lighting circuit.
- The LED light source fitted in this product is non replaceable. The whole luminaire must be replaced when the LED reaches the end of its life.

Technical Specifications

Part No.	Description	Wattage	Measurement	Beam Angle
37914	Fire Rated Downlight	5W	88 x 30 mm	60degree

Cut Out Diameter	Lumen Output	IP Rating	Power Factor	CRI	Class Rating	Colour Temperature
70mm	500 Lm	IP65	> 0.85	> 80	Class II	4000K



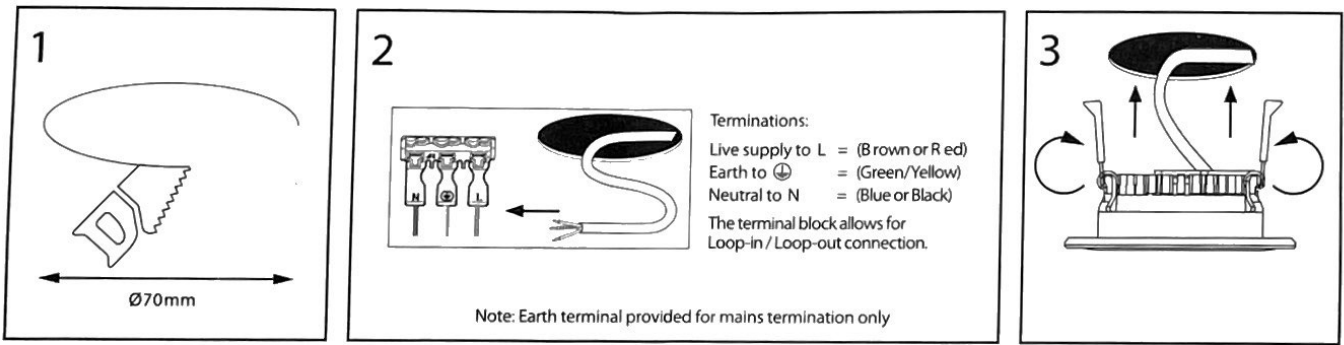
Important Installation Information

Always switch off the mains power supply before installation or servicing. Ensure that there is adequate free air ventilation around the luminaire at all times. Do not install this product into damp or newly plastered ceilings.

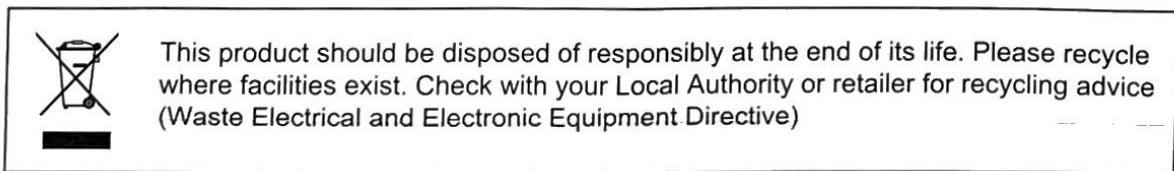
- This luminaire should be mounted on a flat, smooth surface. Ensure that the mounting area is clean and free from any obstructions. The installation must not infringe on gas/water pipes or any other electrical cables or services which may be hidden behind the ceiling.
- This product is rated IP65 and is suitable for installation in bathroom zones 1 and 2 as defined by the National Wiring Regulations.

- 1) Select the required mounting position in the ceiling and cut out a circular hole 70mm in diameter. Do not exceed the cutting diameter and ensure that cut outs are spaced adequately to provide clearance from any joists, beams or cables within the ceiling void.
- 2) Pull the mains supply cable through the hole and open the terminal block cover. Connect the mains supply cable into the terminals ensuring that the correct polarity is observed. Close the terminal block cover tightly to secure the cable in place.
- 3) Feed the excess mains supply cable back through the hole and into the ceiling void. With the spring clips held in the upward position, tilt and insert the connector block and luminaire through the cut out hole and into the ceiling void, take care not to trap any cables. The spring clips will locate onto the top of the ceiling surface to provide a secure installation. Ensure that the rubber seal ring is securely in place on the back of the bezel housing and that the luminaire is fitted centrally to the cut out hole.

Reconnect the mains power supply and test the installation for correct and satisfactory operation.



- This luminaire can be loosely covered with mineral wool insulation material. However, minimum clearance distances around the luminaire must be observed: 25mm above the top of the luminaire, 75mm to all sides of the luminaire and 0.5m minimum distance between luminaires.
- When removing the luminaire for maintenance or changing the bezel, allow sufficient time for the product to cool before handling.



Helpline

If you receive this item with parts broken or missing, please telephone: **0333 0050077**

Please have ready your name, address, tel. no., product reference, where purchased and parts required. An answering service is in operation outside office hours and during busy periods.

We regret that we are unable to give advice on internal house wiring.

Cascade Holdings Ltd, Gorse Mill, Gorse Street, Chadderton, Oldham. OL9 9RJ

EU Authorised Representative: Authorised Rep Compliance,
Ground Floor, 71 Lower Baggot Street, Dublin, Ireland,
D02P593.

